



Precision 75 Ohm N Female to F Male Adapter

TECHNICAL DATA SHEET

PE9739

Precision 75 Ohm N Female to F Male Adapter

Configuration

Connector 1	N Female
Impedance 1	75 Ohms
Connector 2	F Male
Impedance 2	75 Ohms
Adapter Design	Precision
Body Style	Straight

Electrical Specifications

Frequency Range, GHz	DC to 3
Maximum VSWR	1.3:1

Frequency 1

Frequency, GHz	DC to 2
VSWR	1.15:1

Mechanical Specifications

Temperature

Operating Range, deg C	-65 to +125
------------------------	-------------

Size

Length, in [mm]	1.75 [44.45]
Width/Dia., in [mm]	0.625 [15.88]

Connector 1

Type	N Female
Inner Conductor Material and Plating	Beryllium Copper, Gold
Body Material and Plating	Passivated Stainless Steel
Dielectric Type	PTFE

Connector 2

Type	F Male
Inner Conductor Material and Plating	Brass/Beryllium Copper, Nickel
Coupling Nut Material and Plating	Brass, Nickel
Hex Size, in.	7/16
Torque, in-lbs [Nm]	16 [1.81]
Body Material and Plating	Brass, Nickel
Dielectric Type	PTFE

Compliance Certifications (visit www.Pasternack.com for current document)

RoHS Compliant	Yes
----------------	-----

Click the following link (or enter part number in "SEARCH" on website) to obtain additional part information including price, inventory and certifications: [Precision 75 Ohm N Female to F Male Adapter PE9739](#)

The information contained in this document is accurate to the best of our knowledge and representative of the part described herein. It may be necessary to make modifications to the part and/or the documentation of the part, in order to implement improvements. Pasternack reserves the right to make such changes as required. Unless otherwise stated, all specifications are nominal.



Precision 75 Ohm N Female to F Male Adapter



TECHNICAL DATA SHEET

PE9739

Plotted and Other Data

Notes:

Values at 25 °C, sea level

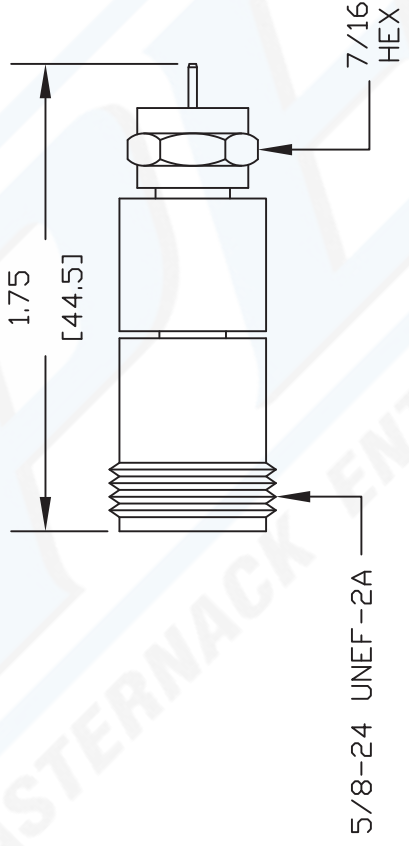
URL: <http://www.pasternack.com/n-female-f-male-straight-adapter-pe9739-p.aspx>

Precision 75 Ohm N Female to F Male Adapter from Pasternack Enterprises has same day shipment for domestic and International orders. Our RF, microwave and fiber optic products maintain a 99% availability and are part of the broadest selection in the industry.

The information contained in this document is accurate to the best of our knowledge and representative of the part described herein. It may be necessary to make modifications to the part and/or the documentation of the part, in order to implement improvements. Pasternack reserves the right to make such changes as required. Unless otherwise stated, all specifications are nominal.

PE9739 CAD Drawing

Precision 75 Ohm N Female to F Male Adapter



NOTES:
 1. UNLESS OTHERWISE SPECIFIED ALL DIMENSIONS ARE NOMINAL.
 2. ALL SPECIFICATIONS ARE SUBJECT TO CHANGE WITHOUT NOTICE AT ANY TIME.
 3. DIMENSIONS ARE IN INCHES [mm].

DWG TITLE
PE9739

PASTERNAK ENTERPRISES, INC.
 P O BOX 16759, IRVINE, CA 92623
 PHONE (949) 261-1920 FAX (949) 261-7451
 WEB ADDRESS: www.pasternack.com
 E-MAIL ADDRESS: sales@pasternack.com
COAXIAL & FIBER OPTICS



REV. -	FSCM NO. 53919	CAD FILE 050703	SCALE N/A	SIZE A	127
--------	----------------	-----------------	-----------	--------	-----